

Interactive Co-Culture Plate

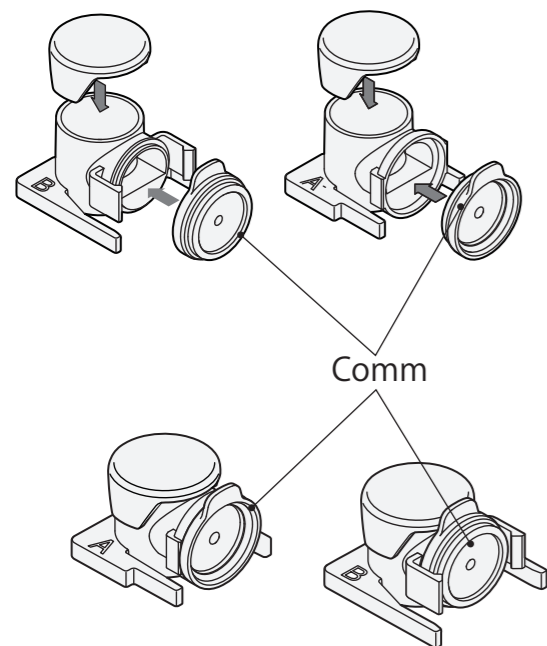


Instructions

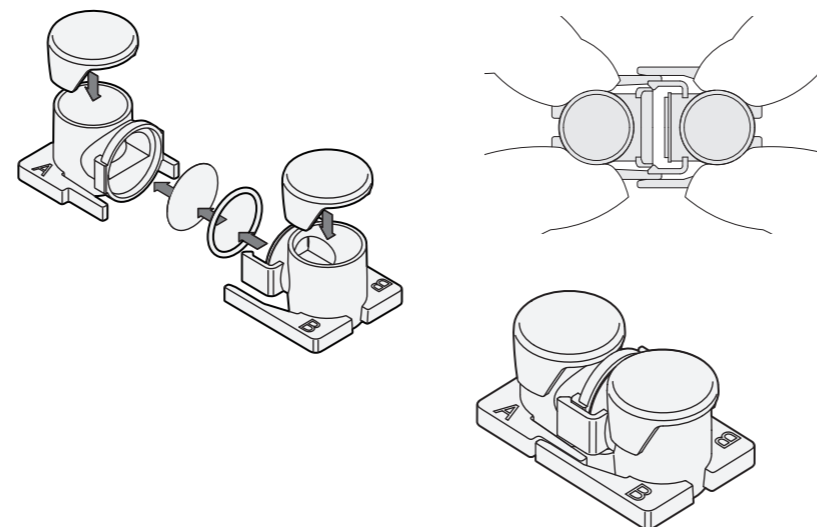
Please pay close attention to the following handling instructions, and use the device carefully. This product is for research and is not meant for use in either treatment or diagnosis. This product is not medical equipment. This product has been used by the corona discharge to hydrophilize it, but the effect varies according to cells and is not permanent. Please add coating as needed. The product is placed in a blister tray, packed with a seal, and sterilized by electron beam. Because it is under continual evaluation for the antibacterial terms of a guarantee, the germfree term of the guarantee is provisionally 3 years. Upon opening this article, please confirm that the status of the entering seal of the Blister tray and 10 sets case does not show abnormalities, such as sign of dropping. If an abnormality is observed, please contact the sales agency. Tear off the seal slowly so that the product does not protrude upon opening blister tray. The germ-free guarantee is invalidated after opening this product. The main body material is polystyrene (PS) and the common cover material is low-density polyethylene (LDPE), both of which have low heat resistance, do not use the device for culture at temperature higher than 50°C. PS used for the main bodies is rigid but could be damaged by shock and stress. Use caution in handling the parts without the thickness of the adapter, and prevent you from adding impossible power. Please do not reuse this product. Other than the case of the defective article, returned goods and the exchange are not accepted.

Instruction manual

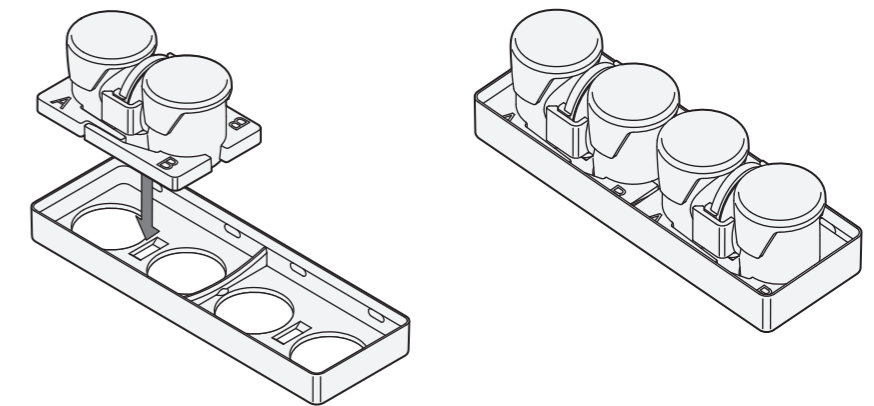
- The common cover is shaped to different fit the main bodies. Please fit it in a direction in accordance with the main body.



- Please use the O ring after you wetting with the culture medium. Couple the main body horizontally to sandwich the O ring for connecting the main body A and B. Failure to use an O ring may result in leakage.



- Attach the main body after connecting to an adapter.



Use a filter of 13 mm diameter as needed.

Also, please wet the filter with the culture medium.

A filter may be torn.

When you move it, hold the parts separately from the cover



Sales agency
Ginrei Lab Inc.

URL <http://www.ginreilab.com>

Manufacturer

shinko Shinko Chemical Co., Ltd.

URL <http://www.shinko-ccl.co.jp>